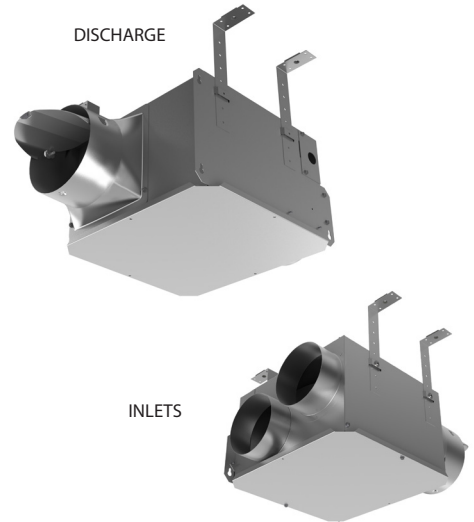


FEATURES

- **Quiet.** We design our fans to perform in real world conditions (like the ones you're designing to), which means that they stay quieter and push more air at higher static pressures than conventional fans.
- **Efficient & Reliable.** Permanently lubricated, maintenance free motor will give years of reliable quiet ventilation.
- **The little things.** We include sturdy steel brackets and rubber isolators for mounting, and we even design our own screws so that things stay tight and can be worked on with regular tools.
- **Warranty.** 1 year warranty on parts



TYPICAL SPECIFICATIONS

Exhaust fan shall be Zonex Ventilation Model IL-3 .

Fan housing shall be constructed of corrosion resistant 24 gauge galvanized steel with integrated mounting slots. Adjustable galvanized steel mounting brackets shall be supplied to allow for vertical or horizontal mounting. Rubber isolators shall be supplied for mounting. Fan shall have a field wiring compartment with integral disconnect receptacle. Discharge collar shall be galvanized steel with a 6" small end duct connector.

Motor shall be plug-in type, low RPM, and shall be permanently-lubricated and maintenance-free. Motor shall be suitable for continuous operation. Motor to have automatic-reset thermal overload protection. Wheel shall be forward curved, balanced, and of corrosion-resistant galvanized steel. Blower assembly shall be removable.

PERFORMANCE

- 130 CFM @ 0.1" Ps
- 180 CFM @ 0.1" Ps
- 255 CFM @ 0.1" Ps

FEATURES



**EASY
INSTALL**



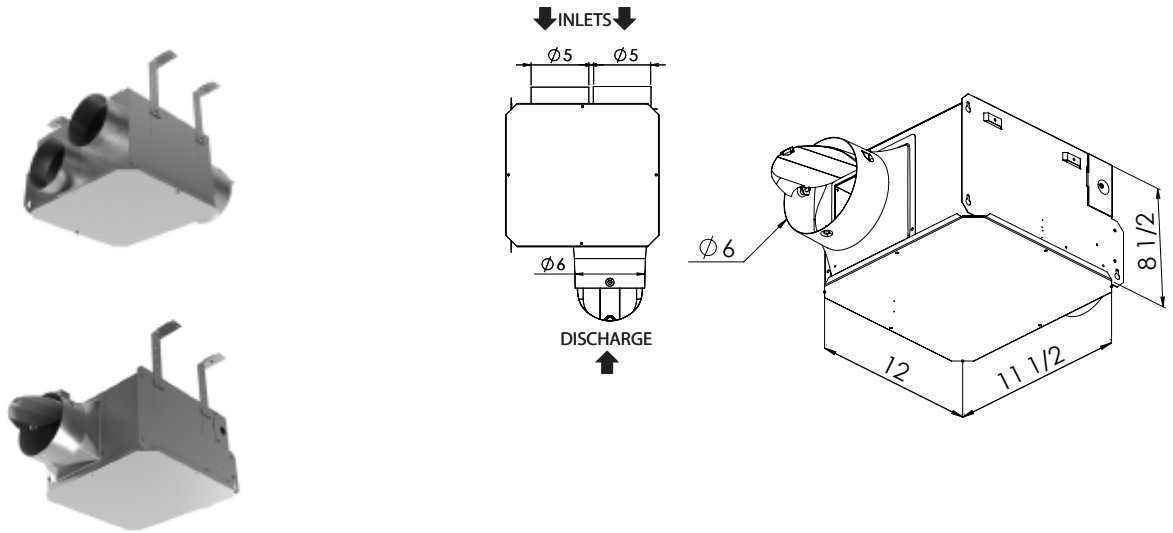
QUIET

REMARKS:	QTY:	JOB:
	TAG:	ARCHITECT:
ENGINEER:		
CONTRACTOR:		
DATE:		SUBMITTED BY:

Design & specifications are subject to change without notice.



DIMENSIONS



AIR FLOW PERFORMANCE - CFM

HIGH

MEDIUM

LOW

280 CFM@ 0.0	195 CFM@ 0.0	145 CFM@ 0.0
255 CFM@ 0.1	185 CFM@ 0.1	136 CFM@ 0.1
245 CFM@ 0.15	175 CFM@ 0.15	131 CFM@ 0.15
238 CFM@ 0.2	170 CFM@ 0.2	122 CFM@ 0.2
227 CFM@ 0.25	161 CFM@ 0.25	115 CFM@ 0.25
215 CFM@ 0.3	150 CFM@ 0.3	105 CFM@ 0.3
200 CFM@ 0.4	130 CFM@ 0.4	90 CFM@ 0.4
165 CFM@ 0.5	102 CFM@ 0.5	60 CFM@ 0.5

Power rating should be 120V/60Hz

SHIPPING INFORMATION

Unit Weight: 15lbs (7kg)

Shipping Dimensions

Single Box: 15 1/2" x 13 1/2" x 8 1/2"

ACCESSORIES

Zonex Exhaust Diffuser ZED4, ZED5, ZED6, ZED8

Zonex Access Panel 14"x14"

Exhaust Wallboxes

Single wallbox (SWB6), Double wallbox (DWB6), Triple wallbox (TWB6) & grilles.

Vents

Steel and aluminum exterior vents

