

LINT TRAP

ZLT6H #10007584
ZLT6DS #10007585

ZVSSZLT6HDS-11-06-2000

FEATURES

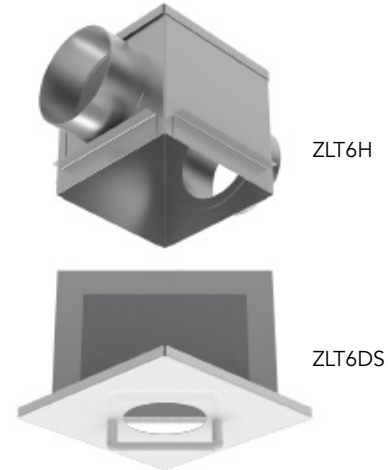
- Plexiglass see through window
- Easy to use, just slide out and clean.
- Backed by years of experience and thousands of successful installations, the Zonex E-Z Clean Lint Trap design is the functional, reliable, and cost-effective choice for homes and Hi-Rise buildings.
- User-friendly one piece door and filter design slides easily and firmly into place time after time -no hassles with multiple pieces or fasteners
- 24 ga Galvanized steel construction with stainless steel fine mesh filter
- Designed and built in Canada
- Custom configurations available for your project

Installation

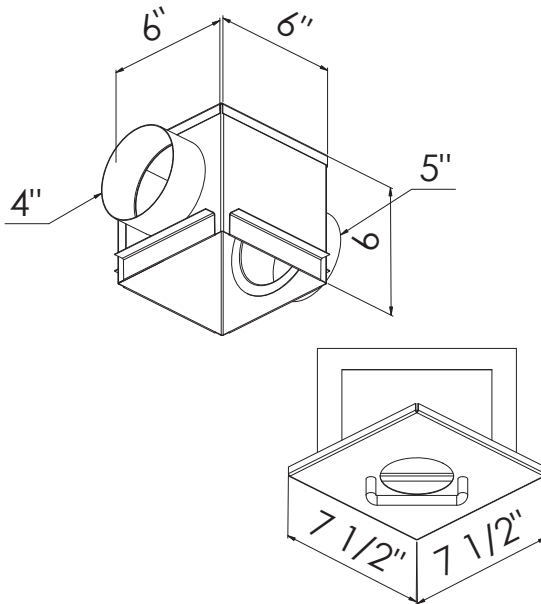
- Ceiling or wall mount
- Complete with recessed flanges to accommodate drywall
- White lid

TYPICAL SPECIFICATION

Lint trap shall be complete with 4" inlet and 5" exhaust duct connections. Lint trap shall be constructed of 24 ga galvanized steel with a stainless steel fine mesh filter. Door/screen assembly shall be easily removable by end user.



DIMENSIONS



SHIPPING INFORMATION

WEIGHT: 2lbs.

Shipping Weight: 2lbs.

Shipping Dimensions
Pallet Quantity: 125
Weight: 250lbs.

Project Phase Shipping

Housings, door/screen assembly can be shipped separately to coincide with your project phases.

Lead Packaging

In an effort to help reduce waste on the jobsite, we can ship in palette quantities with minimal packaging. Our packaging is made from recycled post-consumer material, and is fully recyclable. This helps to earn LEED points in the "Construction Waste Management" category.

REMARKS:	QTY:	JOB:
	TAG:	ARCHITECT:
ENGINEER:		
CONTRACTOR:		
DATE:		SUBMITTED BY:

