



SUBMITTAL SHEET

Exhaust Fans

GM-400 #10022278

GM-500 #10022279

GM-700 #10022240

ZVSSGM400500700-09-09-2000

FEATURES

Why they're good:

- **Quiet.** We design our fans to perform in real world conditions (like the ones you're designing to), which means that they stay quieter and push more air at higher static pressures than conventional fans.
- **Efficient & Reliable.** With its PSC design & permanently lubricated ball bearings, our motor will give years of reliable quiet ventilation.
- **24/7 Run-time & 2 Speed Fans.** The Zonex GM Series is designed with ASHRAE 62.2 best practices in mind. Will available 2 speeds, our fans will run quietly all day at low CFM and provide hi-speed boost ventilation when you need it. Plus, our fans work with regular line voltage wall switches.
- **The little things.** Our duct connector is galvanized steel with an aluminum backdraft damper. It's hinged on rattle-free poly bushings, and is designed to eliminate obstruction from screws during installation. We include sturdy steel brackets and rubber isolators for mounting, and we even design our own screws so that things stay tight and can be worked on with regular tools.
- **Quality.** We are a family owned company, so we take this seriously. The GM Series is designed & built in Canada from 24 ga galvanized steel. We test every unit at the factory to ensure that it works as it should.
- **Warranty.** 1 year warranty on parts



TYPICAL SPECIFICATIONS

Exhaust fan shall be Zonex Ventilation Model GM-400, GM-500 & GM-700. Fan housing shall be constructed of corrosion resistant 24 gauge galvanized steel with integrated mounting slots. Adjustable galvanized steel mounting brackets shall be supplied to allow for vertical or horizontal mounting. Rubber isolators shall be supplied for mounting. Fan shall have a field wiring compartment with integral disconnect receptacle. Discharge collar shall be 4.5" x 18" galvanized steel with a quiet aluminum backdraft damper. Fan shall be supplied with a white powdercoated steel grille.

Motor shall be plug-in type, low RPM, and shall be permanently-lubricated and maintenance-free. Motor shall be of an energy efficient PSC design, and shall be suitable for continuous operation. Motor to have automatic-reset thermal overload protection. Wheel shall be forward curved, balanced, and of corrosion-resistant galvanized steel. Blower assembly shall be removable.

Air delivery shall be no less and sound levels no greater than: (369 cfm & 2 Sones) (458 cfm and 3.5 Sones) (640 cfm and 4.5 Sones) at 0.1" Ps. Fan shall be made in Canada, and all packaging shall be from renewable sources and recyclable.

PERFORMANCE

GM-400 - 409 CFM/2.1 Sones
 GM-500 - 505 CFM/3.0 Sones
 GM-700 - 689 CFM/4.2 Sones

FEATURES



MADE IN CANADA



EASY INSTALL



QUIET



eco

REMARKS:	QTY:	JOB:
	TAG:	ARCHITECT:
DATE:		ENGINEER:
		CONTRACTOR:
		SUBMITTED BY:

Design & specifications are subject to change without notice.



Exhaust Fans

GM-400 #10022278

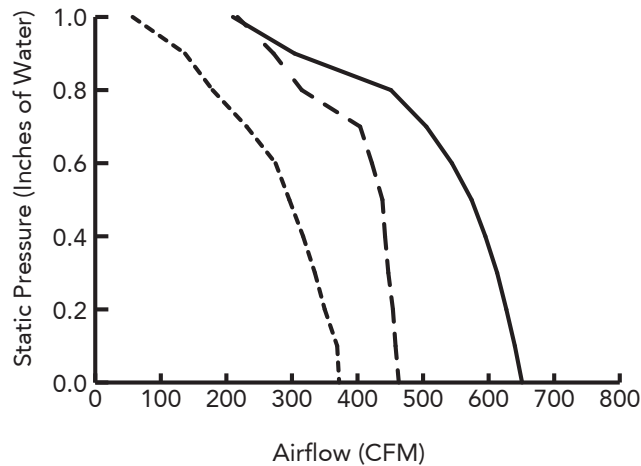
GM-500 #10022279

GM-700 #10022240

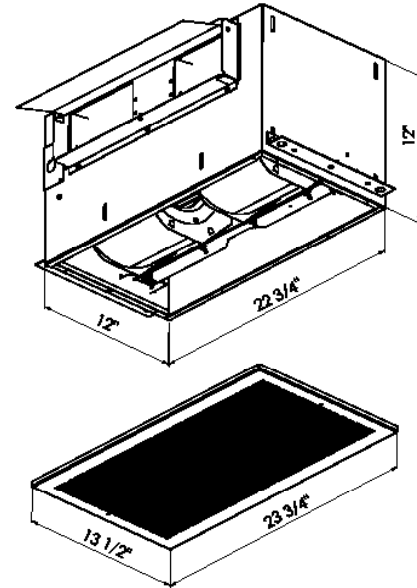
ZVSSGM400500700-09-09-2000

AIRFLOW PERFORMANCE

Tested to AMCA/ANSI Standard 210-7



DIMENSIONS



PERFORMANCE

Tested to AMCA/ANSI Standard 210-7

Ps	0.0"	0.1"	0.2"	0.3"	0.4"	0.5"	0.6"	0.7"	0.8"	0.9"	1.0"
400CFM	409	389	369	335	327	286	247	206	164	62	0
500CFM	505	494	482	458	432	419	405	355	251	201	81
700CFM	686	669	651	634	616	553	484	414	344	274	157

ELECTRICAL INFO

Nominal Voltage	Nominal RPM	Amps at 60 Hz	Watts
120VAC	499	1.6	185
120VAC	624	1.7	198
120VAC	848	1.9	223

SHIPPING INFORMATION

Unit Weight: 33lbs (15kg)

Shipping Dimensions

Single Box: 25 3/4" x 16" x 12 1/4"

Pallet Quantity: 20 units/pallet, 660 lbs (300 kgs)/pallet

Project Phase Shipping

Housings, motor assemblies and grilles can be shipped separately to coincide with your project phases.

Leed Packaging

In an effort to help reduce waste on the jobsite, we can ship in pallet quantities with minimal packaging. Our packaging is made from recycled post-consumer material, and is fully recyclable. This helps to earn LEED points in the "Construction Waste Management" category.

ACCESSORIES

Exhaust Wallboxes

Single wallbox (SWB4), Double wallbox (DWB4), Triple wallbox (TWB4) & grilles.

Vents

Steel and aluminum exterior vents

