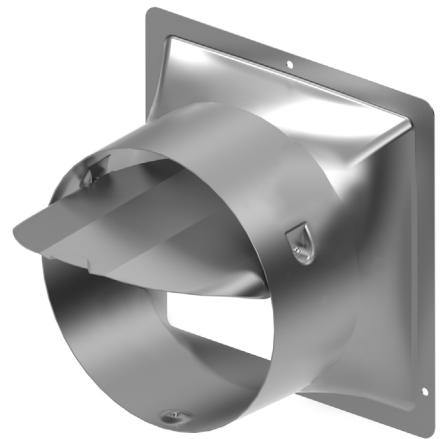


### FEATURES

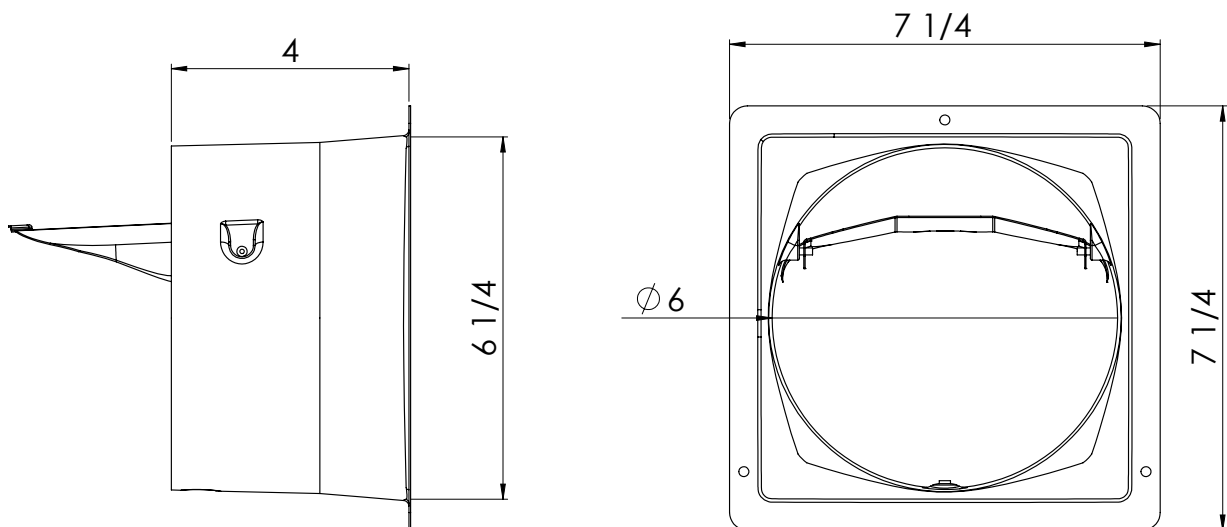
- Galvanized steel
- 6.25" x 6.25" opening
- Aluminum back draft damper
- 6" discharge collar

### TYPICAL SPECIFICATION

Discharge collar shall be constructed from corrosion-resistant galvanized steel with 1/2" standing flange to fix onto any fan or HVAC product. Swing-type aluminum back draft damper shall be included.



### DIMENSIONS



REMARKS:	QTY:	JOB:
	TAG:	ARCHITECT:
ENGINEER:		
CONTRACTOR:		
DATE:		SUBMITTED BY:

