

## GM-3

Bathroom Fan #10028113

ZVSSGM3-12-02-2000

### FEATURES

**Why they're good:**

- **Quiet.** We design our fans to perform in real world conditions (like the ones you're designing to), which means that they stay quieter and push more air at higher static pressures than conventional fans.
- **Efficient & Reliable.** With its PSC design & permanently lubricated ball bearings, our motor will give years of reliable quiet ventilation.
- **24/7 Run-time & 2 Speed Fans.** The Zonex GM-3 Series is designed with ASHRAE 62.2 best practices in mind. Our 2 speed fans (50-130 CFM & 80-130 CFM) will run quietly all day at low CFM and provide hi-speed boost ventilation when you need it. Plus, our fans work with regular line voltage wall switches.
- **The little things.** Our duct connector is a galvanized steel backdraft damper. It's hinged on rattle-free, and is designed to eliminate obstruction from screws during installation. We include sturdy steel brackets and rubber isolators for mounting, and we even design our own screws so that things stay tight and can be worked on with regular tools.
- **Quality.** We are a family owned company, so we take this seriously. The GM-3 Series is designed in Canada & built from 24 ga galvanized steel. We test every unit at the factory to ensure that it works as it should.
- **Warranty.** 1 year warranty on parts



### PERFORMANCE DATA

Low	50 CFM @ 0.1" Ps
Medium	80 CFM @ 0.1" Ps
High	130 CFM @ 0.1" Ps

### TYPICAL SPECIFICATIONS

Exhaust fan shall be Zonex Ventilation Model GM-3 (50 CFM, 50-130 CFM, 80 CFM, 80-130 CFM, 130 CFM). Fan housing shall be constructed of corrosion resistant 24 gauge galvanized steel with integrated mounting slots. Adjustable galvanized steel mounting brackets shall be supplied to allow for vertical or horizontal mounting. Rubber isolators shall be supplied for mounting. Fan shall have a field wiring compartment with integral disconnect receptacle. Discharge collar shall be galvanized steel with a 4" small end duct connector complete with a quiet aluminum backdraft damper. Fan shall be supplied with a white powdercoated steel grille.

Motor shall be plug-in type, low RPM, and shall be permanently-lubricated and maintenance-free. Motor shall be of an energy efficient PSC design, and shall be suitable for continuous operation. Motor to have automatic-reset thermal overload protection. Wheel shall be forward curved, balanced, and of corrosion-resistant galvanized steel. Blower assembly shall be removable.

### FEATURES



### FEATURES



REMARKS:	QTY:	JOB:
	TAG:	ARCHITECT:
DATE:		ENGINEER:
		CONTRACTOR:
		SUBMITTED BY:

Design & specifications are subject to change without notice.



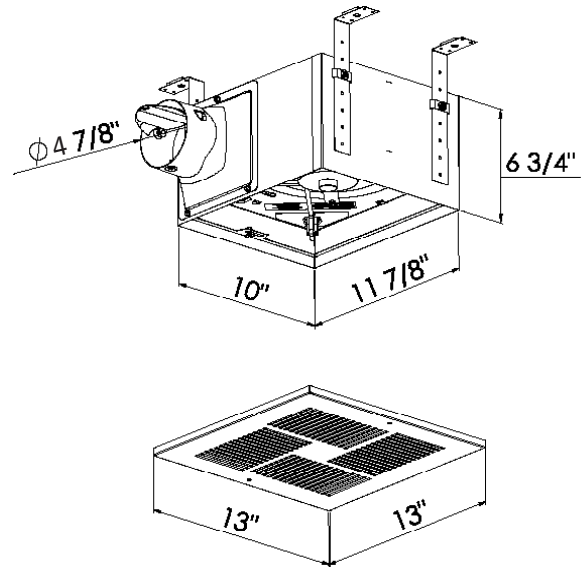
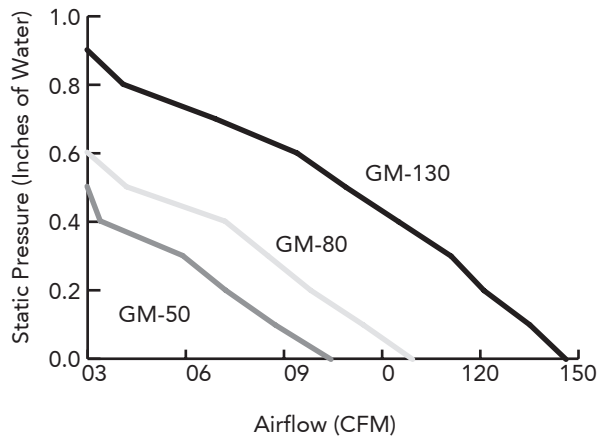
## GM-3

Bathroom Fan #10028113

ZVSSGM3-12-02-2000

**AIRFLOW PERFORMANCE**

**DIMENSIONS**



**PERFORMANCE**

**ELECTRICAL INFO**

Tested to Standards AMCA/ANSI 210, AMCA 300, ASHRAE 51, HVI publication 905/916/920

Ps	0.0"	0.1"	0.2"	0.3"	0.4"	0.5"	0.6"	0.7"	0.8"	0.9"	1.0"
50CFM	74	57	42	29	4	---	---	---	---	---	---
80CFM	99	84	68	55	42	12	---	---	---	---	---
130CFM	146	135	121	111	95	79	64	39	11	---	---

Nominal Voltage	Nominal RPM	Amps at 60 Hz	Watts
120VAC	698	0.21	24
120VAC	771	0.24	29
120VAC	932	0.33	40

**SHIPPING INFORMATION**

**ACCESSORIES**

Unit Weight: 11lbs (5kg)

**Shipping Dimensions**

Single Box: 15 1/2" x 13 1/2" x 8 1/2"

Pallet Quantity: 72 units/pallet, 792 lbs (359 kgs)/pallet

**Project Phase Shipping**

Housings, motor assemblies and grilles can be shipped separately to coincide with your project phases.

**Leed Packaging**

In an effort to help reduce waste on the jobsite, we can ship in pallet quantities with minimal packaging. Our packaging is made from recycled post-consumer material, and is fully recyclable. This helps to earn LEED points in the "Construction Waste Management" category.

**Two Speed Fans**

(50cfm Low, 130cfm High @ 0.1")  
(80cfm Low, 130cfm High @ 0.1")

**Exhaust Wallboxes**

Single wallbox (SWB4), Double wallbox (DWB4), Triple wallbox (TWB4) & grilles.

**Vents**

Steel and aluminum exterior vents

