

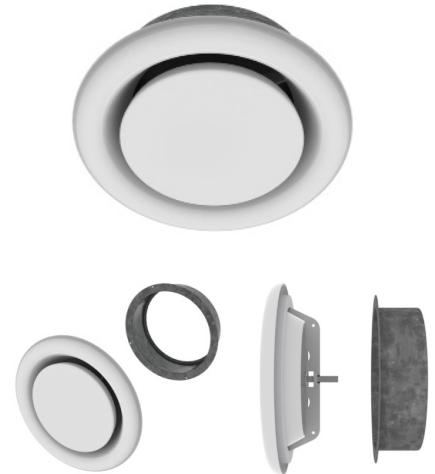
ZED8

Zonex Exhaust Diffuser 8"
10021116

ZVSSZED8-11-06-1900

FEATURES

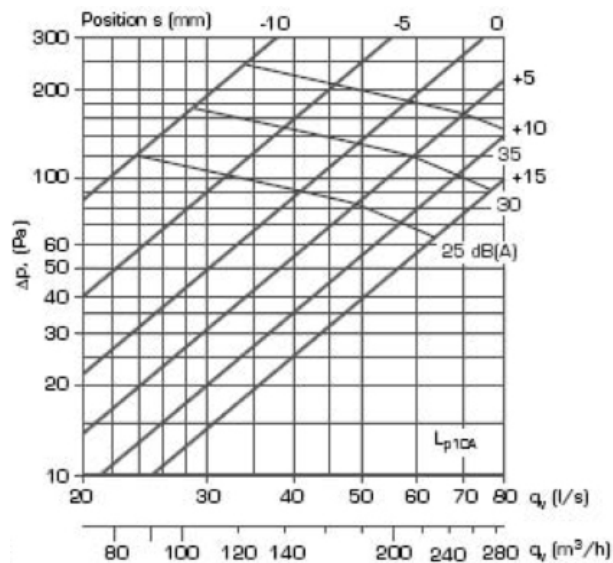
- Galvanized steel with white semi gloss enamel coating
- Incorporated foam gasket for an airtight seal
- Friction-fit into duct
- Adjustment of airflow is simple, just rotate the inner cone to the required setting and lock it in position with the single nut
- Available in 4", 5", 6" and 8" sizes (ZED4, ZED5, ZED6, ZED8)
- Separate mounting collar for easy detachment



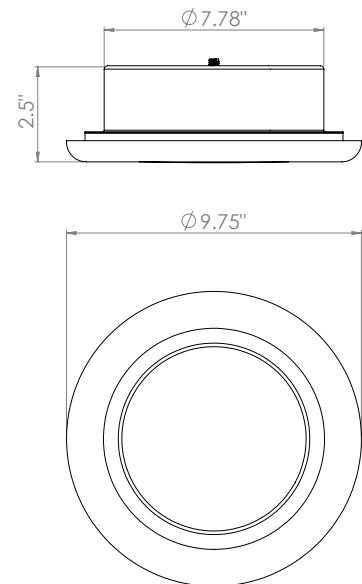
TYPICAL SPECIFICATION

Exhaust/ balancing diffuser shall be Zonex Ventilation model ZED8. Unit shall be constructed of galvanized steel, and shall be coated in semi gloss white. A foam gasket shall be provided, along with a separate galvanized steel duct mounting collar. Airflow and balancing shall be adjustable by rotating the inner cone of the unit.

PERFORMANCE



DIMENSIONS



| | | |
|-------------|------|---------------|
| REMARKS: | QTY: | JOB: |
| | TAG: | ARCHITECT: |
| ENGINEER: | | |
| CONTRACTOR: | | |
| DATE: | | SUBMITTED BY: |

