



SUBMITTAL SHEET

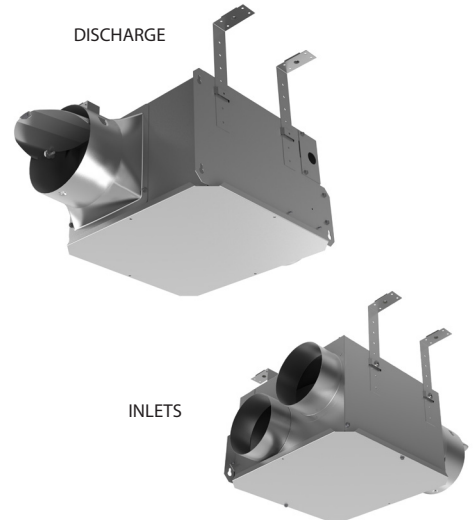
Inline Exhaust Fans

IL-130	10004097	IL-130/180	10020029
IL-180	10004100	IL-130/280	10020030
IL-280	10004103	IL-180/280	10020031

ZVSSIL130180280-09-09-2000

FEATURES

- **Quiet.** We design our fans to perform in real world conditions (like the ones you're designing to), which means that they stay quieter and push more air at higher static pressures than conventional fans.
- **Efficient & Reliable.** Permanently lubricated, maintenance free motor will give years of reliable quiet ventilation.
- **24/7 Run-time & 2 Speed Fans.** The Zonex IL Series is designed with ASHRAE 62.2 best practices in mind. Our 2 speed fans (IL-130-180, IL-130-280, IL-180-280) will run quietly all day at low CFM and provide hi-speed boost ventilation when you need it. Plus, our fans work with regular line voltage wall switches.
- **The little things.** We include sturdy steel brackets and rubber isolators for mounting, and we even design our own screws so that things stay tight and can be worked on with regular tools.
- **Quality.** We are a family owned company, so we take this seriously. The IL Series is designed & built in Canada from 24 ga galvanized steel. We test every unit at the factory to ensure that it works as it should.
- **Warranty.** 1 year warranty on parts



TYPICAL SPECIFICATIONS

Exhaust fan shall be Zonex Ventilation Model IL-130 (IL-180) (IL-280). Fan housing shall be constructed of corrosion resistant 24 gauge galvanized steel with integrated mounting slots. **IF SPECIFYING 2 SPEED FANS, SELECT (IL-130-180, & IL-130-280, IL-180-280) Adjustable galvanized steel mounting brackets shall be supplied to allow for vertical or horizontal mounting. Rubber isolators shall be supplied for mounting. Fan shall have a field wiring compartment with integral disconnect receptacle. Discharge collar shall be galvanized steel with a 6" small end duct connector.

Motor shall be plug-in type, low RPM, and shall be permanently-lubricated and maintenance-free. Motor shall be suitable for continuous operation. Motor to have automatic-reset thermal overload protection. Wheel shall be forward curved, balanced, and of corrosion-resistant galvanized steel. Blower assembly shall be removable.

Air delivery shall be no less than: 143 cfm (**IL130**), 198 cfm (**IL180**), 279 cfm (**IL280**) @ 0.1" Ps. Fan shall be made in Canada, and all packaging shall be from renewable sources and recyclable.

PERFORMANCE

IL-130	143 CFM @ 0.1" Ps
IL-180	198 CFM @ 0.1" Ps
IL-280	279 CFM @ 0.1" Ps

FEATURES



REMARKS:	QTY:	JOB:
	TAG:	ARCHITECT:
DATE:		ENGINEER:
		CONTRACTOR:
		SUBMITTED BY:

Design & specifications are subject to change without notice.



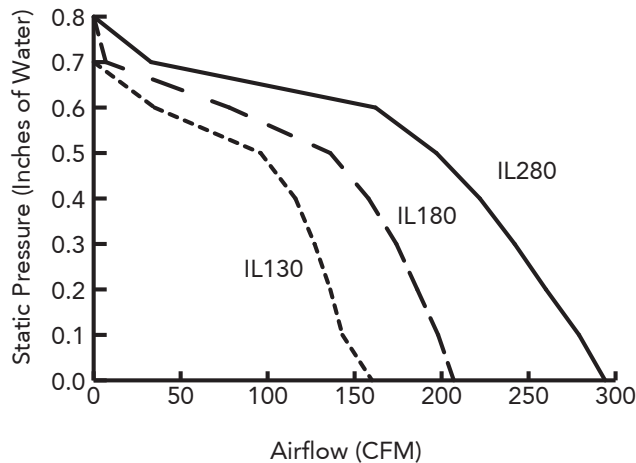
Inline Exhaust Fans

IL-130	10004097	IL-130/180	10020029
IL-180	10004100	IL-130/280	10020030
IL-280	10004103	IL-180/280	10020031

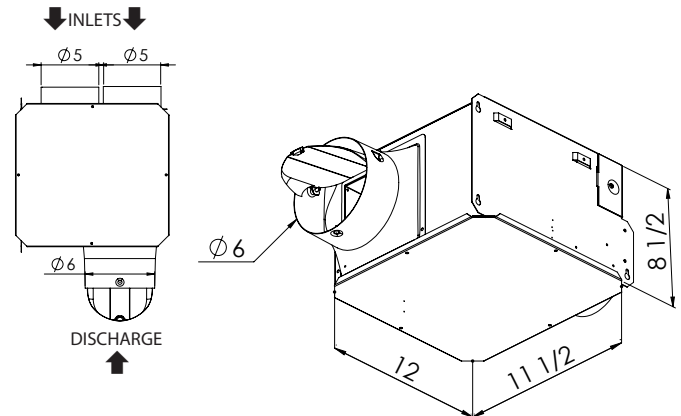
ZVSSIL130180280-09-09-2000

AIRFLOW PERFORMANCE

Tested to AMCA/ANSI Standard 210-7



DIMENSIONS



PERFORMANCE

Tested to AMCA/ANSI Standard 210-7

Ps	0.0"	0.1"	0.2"	0.3"	0.4"	0.5"	0.6"	0.7"	0.8"	0.9"	1.0"
130CFM	160	143	136	127	116	96	35	0	---	---	---
180CFM	207	198	186	174	158	136	78	7	0	---	---
280CFM	294	279	260	242	222	197	162	33	0	---	---

ELECTRICAL INFO

Nominal Voltage	Nominal RPM	Amps at 60 Hz	Watts
120VAC	1036	0.83	63
120VAC	1208	1.16	91
120VAC	1495	1.78	141

SHIPPING INFORMATION

Unit Weight: 15lbs (7kg)

Shipping Dimensions

Single Box: $15 \frac{1}{2}$ " x $13 \frac{1}{2}$ " x $8 \frac{1}{2}$ "

Pallet Quantity: 54units/pallet, 810 lbs (378 kgs)/pallet

Project Phase Shipping

Housings, motor assemblies and grilles can be shipped separately to coincide with your project phases.

Leed Packaging

In an effort to help reduce waste on the jobsite, we can ship in pallet quantities with minimal packaging. Our packaging is made from recycled post-consumer material, and is fully recyclable. This helps to earn LEED points in the "Construction Waste Management" category.

ACCESSORIES

Zonex Exhaust Diffuser ZED4, ZED5, ZED6, ZED8

Zonex Access Panel 14 "x 14 "

Exhaust Wallboxes

Single wallbox (SWB6), Double wallbox (DWB6), Triple wallbox (TWB6) & grilles.

Vents

Steel and aluminum exterior vents

