

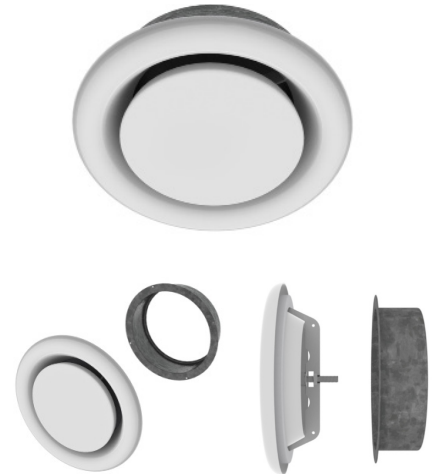
ZED5

Zonex Exhaust Diffuser 5"
10004059

ZVSSZED5-11-06-1900

FEATURES

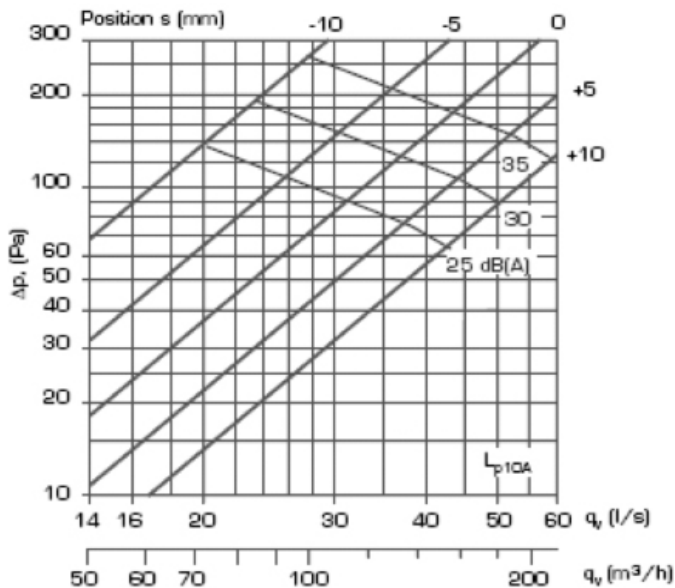
- Galvanized steel with white semi gloss enamel coating
- Incorporated foam gasket for an airtight seal
- Friction-fit into duct
- Adjustment of airflow is simple, just rotate the inner cone to the required setting and lock it in position with the single nut
- Available in 4", 5" and 6" sizes (ZED4, ZED5, ZED6)
- Separate mounting collar for easy detachment



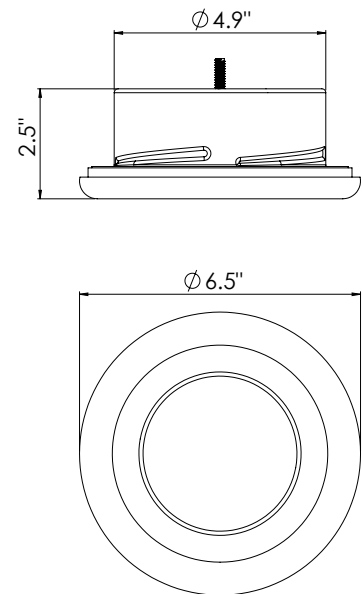
TYPICAL SPECIFICATION

Exhaust/ balancing diffuser shall be Zonex Ventilation model ZED6. Unit shall be constructed of galvanized steel, and shall be coated in semi gloss white. A foam gasket shall be provided, along with a separate galvanized steel duct mounting collar. Airflow and balancing shall be adjustable by rotating the inner cone of the unit.

PERFORMANCE



DIMENSIONS



REMARKS:

QTY:

JOB:

ARCHITECT:

TAG:

ENGINEER:

CONTRACTOR:

DATE:

SUBMITTED BY:

