

FEATURES

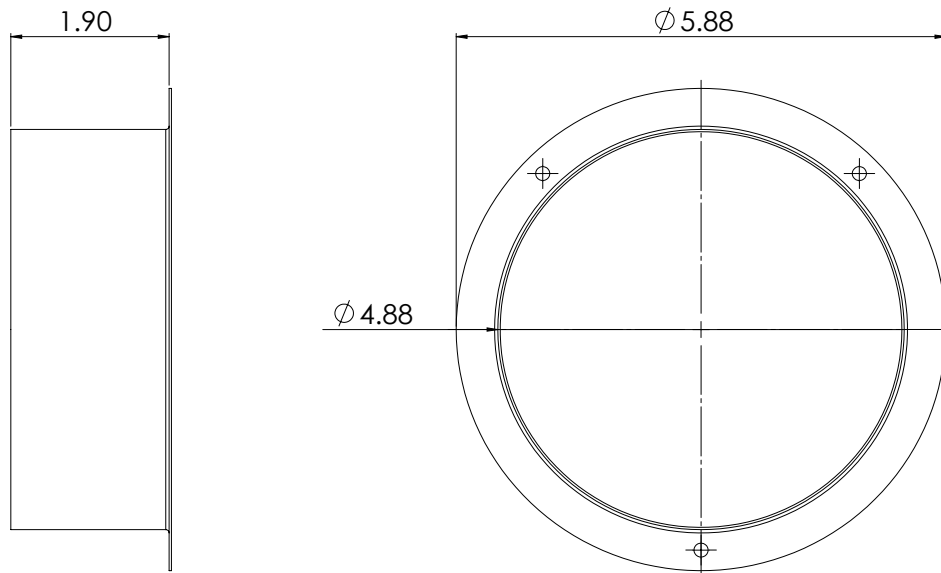
- Galvanized steel
- 0.5" mounting flange
- 5" round collar



TYPICAL SPECIFICATION

Collar shall be constructed from corrosion-resistant galvanized steel with 1/2" standing flange to fix onto any fan or HVAC product.

DIMENSIONS



REMARKS:	QTY:	JOB:
	TAG:	ARCHITECT:
DATE:		ENGINEER:
		SUBMITTED BY:

