

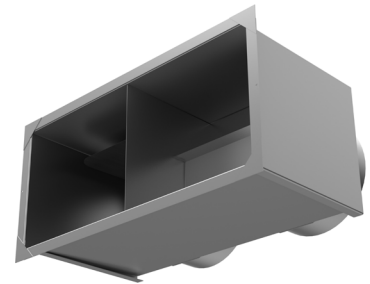
FEATURES

Includes:

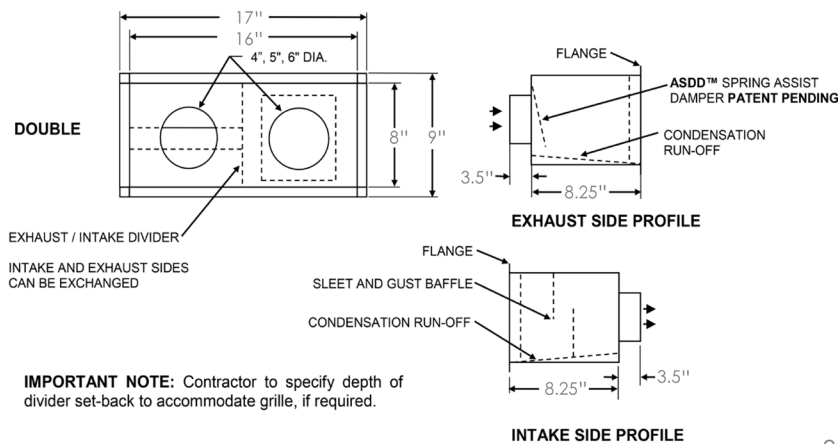
- Galvanized Steel Housing
- Back Draft Dampers
- 4", 5" or 6" Intake Collar

TYPICAL SPECIFICATION

This product is designed for use with HRV systems and gas fired fireplaces. It allows fresh air (make-up air) to be drawn from atmosphere while controlling moisture within the building envelope. These Baffles reduce the risk of fine precipitation entering the intake ductwork. An optional metering damper may also be specified to allow more controlled volume of intake air.

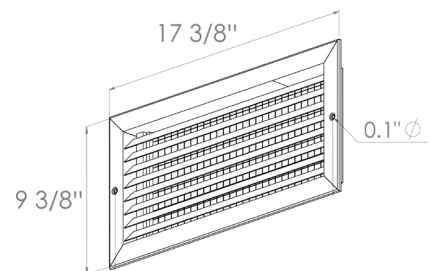
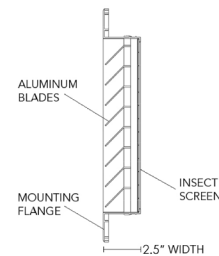


DIMENSIONS



GRILLES

EXTRUDED # 10004596



REMARKS:	QTY:	JOB:
	TAG:	ARCHITECT:
ENGINEER:		
CONTRACTOR:		
DATE:		SUBMITTED BY:

