



**SUBMITTAL SHEET**

**ZIBDD**

Zonex Inline Backdraft Dampers

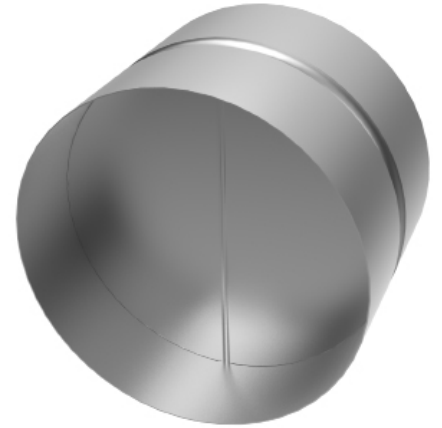
ZIBDD4" - Part# 10001297  
 ZIBDD5" - Part# 10001298  
 ZIBDD6" - Part# 10001299

ZIBDD8" - Part# 10001300  
 ZIBDD10" - Part# 10001301  
 ZIBDD12" - Part# 10001302

ZVSSZIBDD-07-04-1900

**FEATURES**

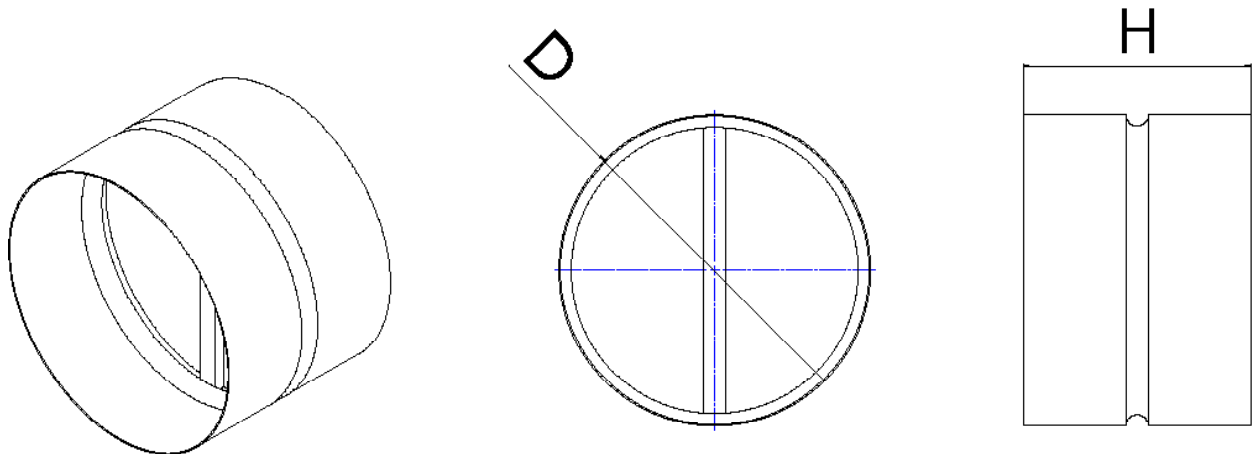
- Simple installation-entire assembly inserts into duct
- Spring loaded for positive closure
- Designed for vertical or horizontal mounting
- Six sizes ranging from 4" to 12" diameter.
- The damper is constructed with a galvanized steel collar and light weight aluminum damper blades.
- Gasket included for quiet operation



**PRODUCT INFORMATION**

PRODUCT CODE	D (DIAMETER)		H (HEIGHT)		WEIGHT	
	INCH	MM	INCH	MM	LBS	KGS
ZIBDD4	4	100	5.125	130	0.42	0.19
ZIBDD5	5	125	5.125	130	0.51	0.23
ZIBDD6	6	150	5.125	130	0.62	0.28
ZIBDD8	8	200	5.125	130	0.86	0.39
ZIBDD10	10	250	5.125	130	1.15	0.52
ZIBDD12	12	300	5.125	130	1.43	0.65

**DIMENSIONS**



REMARKS:	QTY:	JOB:
	TAG:	ARCHITECT:
ENGINEER:		
CONTRACTOR:		
DATE:		SUBMITTED BY:

