

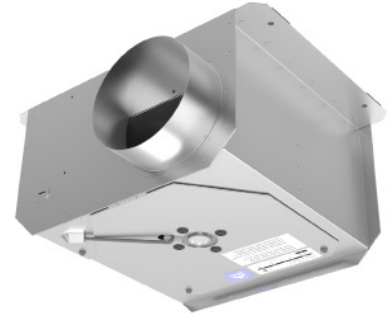
# Booster Fans ZBF-150 #10004038

ZVIIZBF150-09-09-2000

### CAUTION

1. These units are NOT to be used in the exhaust of hazardous or explosive gases.
2. To avoid damage to the motor and impeller, keep power units and ducting leading to the fan free of construction materials such as dry wall spray, construction dust and debris, etc.
3. Read the included specifications on each unit for further information.

**DO NOT USE  
A SOLID-STATE  
SPEED CONTROL DEVICE**



### WARNING

TO REDUCE THE RISK OF FIRE, ELECTRIC SHOCK OR OTHER INJURY, PLEASE OBSERVE THE FOLLOWING:

1. Installation of these units and the corresponding electrical wiring must be done by a qualified person and be in accordance with ALL municipal and national codes and standards, including those relating to fire-rated construction.
2. Use these units only for the intended applications, and in the manner indicated by the manufacturer. If you have any questions, please contact the manufacturer at the address or telephone number listed.
3. Before wiring, servicing, or cleaning the units, switch power off at the service panel and lock it. If left unlocked, others could turn the power on unexpectedly, causing fatal shock to the installer.
4. Natural gas-fuelled equipment such as fireplaces, furnaces, and water heaters require sufficient air flow for the proper combustion and exhaust of gases through the chimney. To prevent disruption of this air flow by an exhaust fan, follow the heating equipment manufacturer's guidelines and safety standards, such as those published by the National Fire Protection Association (NFPA), the American Society for Heating, Refrigeration, and Air Conditioning Engineering (ASHRAE), and the local code authorities.
5. When cutting or drilling into walls or ceilings, take care not to damage electrical wiring and other hidden utilities.
6. Always vent units to the outdoors, NOT into unventilated spaces such as garages, attics, crawl spaces, etc.
7. NEVER place an electrical switch where it can be reached from a tub or shower.

### ONE YEAR LIMITED WARRANTY

Products manufactured by Zonex Ventilation are warranted against defects in workmanship, materials, design, labeling and packaging. This warranty is in effect for one year from the time the product is first placed in operation or 12 months from the purchase date, whichever shall first occur. This warranty applies only if the product has not been removed from the location where it was initially installed, and the product must have been installed by a qualified person in accordance with the manufacturer's specifications and/or all municipal codes and standards. Defective products shall be shipped prepaid to the manufacturer.

During this warranty period, Zonex Ventilation will, at its sole option, repair or replace at its premises or at those of an authorized dealer, any product or part which is found to be defective under normal use and service. ZONEX VENTILATION IS NOT LIABLE FOR ANY DIRECT OR INDIRECT, INCIDENTAL OR CONSEQUENTIAL DAMAGES OR SPECIAL DAMAGES ARISING OUT OF OR IN CONNECTION WITH PRODUCT USE OR PERFORMANCE.

The repair or replacement provided for in this limited warranty shall be the sole and exclusive remedy to the purchaser. Warranty claimants must notify Zonex Ventilation or an authorized dealer. Upon calling, the model number, part identification, and a description of the defect must be provided. At the time of requesting warranty services, evidence of the purchase date or initial operation must be presented.

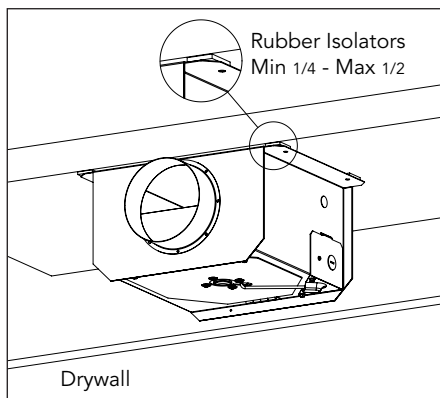


### INSTRUCTIONS FOR REDUCTION OF NOISE & VIBRATION

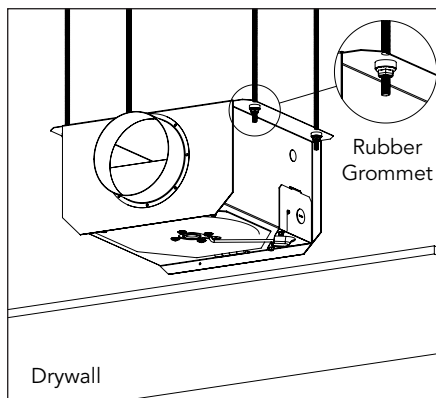
- Suspend Zonex FAN from steel structure, concrete ceiling, or wood frame. DO NOT support FAN from drywall, acoustic tile, or "T-bar"
- Avoid contact between FAN and ceiling or "T-bar"; only the grille should come into contact with ceiling
- Ensure that supplied rubber mounts and grommets are used as indicated
- Avoid use of flexible duct
- Ensure that duct is not in direct contact with any other part of the structure of "T-bar"
- FAN must be connected to duct with flexible canvas duct connector
- **ENSURE THAT BACKDRAFT DAMPER IS UNOBSTRUCTED, AND CAN OPEN AND SHUT FREELY**

### TYPICAL INSTALLATION

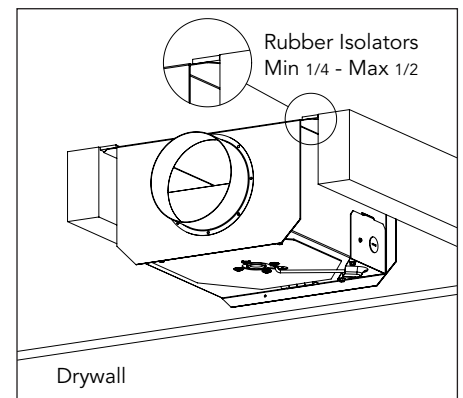
CONCRETE CEILING MOUNT



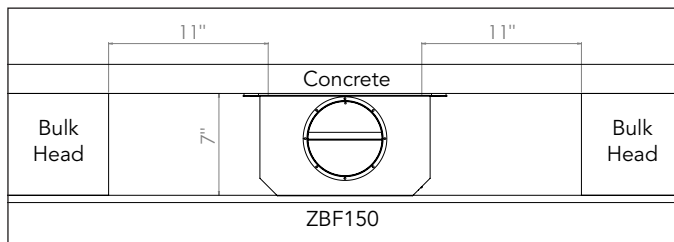
USING THREADED RODS



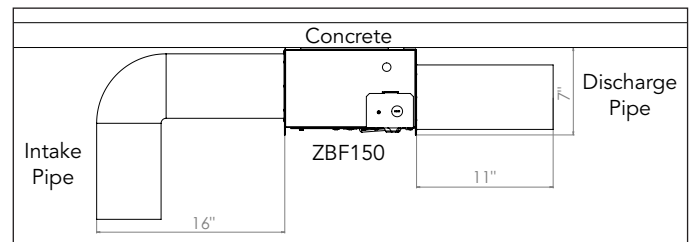
BETWEEN JOISTS



### MINIMUM INSTALLATION DISTANCES



TYPICAL DUCTING



TYPICAL WIRING

